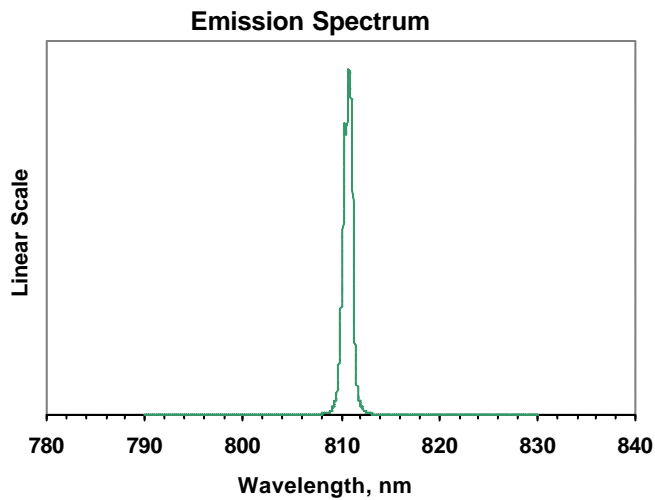
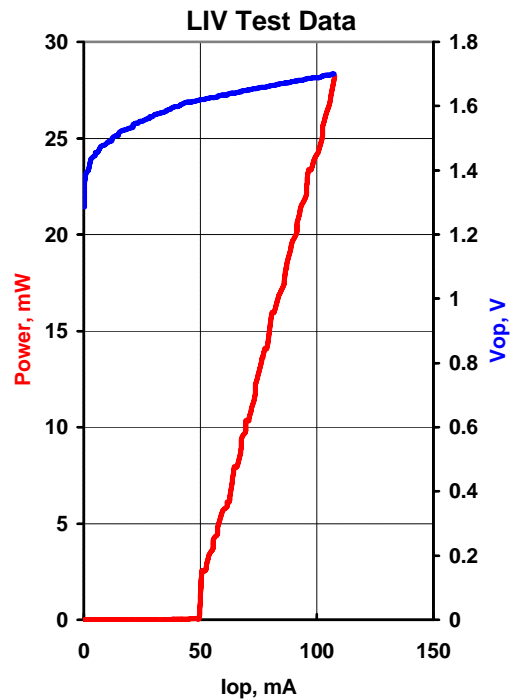




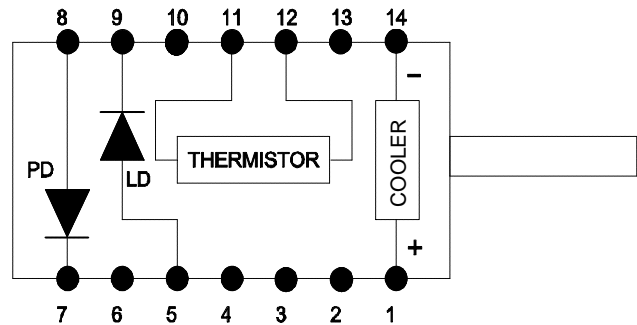
MODEL	QFLD-810-10S
PART NUMBER	SAMPLE

Parameter	Value	Units
Internal Temperature	25	°C
Thermistor Resistance	10.0	k?
Optical Output Power	10.3	mW
Threshold Current	51	mA
Operating Current	69	mA
Operating Voltage	1.65	V
Monitor Current	0.03	mA
Monitor Dark Current	0	nA
Center Wavelength	810.8	nm
Spectral Width	0.96	nm



Fiber Type	SM800
NA	0.14
Connector	

Pin	Connection
1	TE Cooler (+)
5	LD Anode (+)
7	PD Cathode (+)
8	PD Anode (-)
9	LD Cathode (-)
11	Thermistor
12	Thermistor
14	TE Cooler (-)



Operator	
Date	