



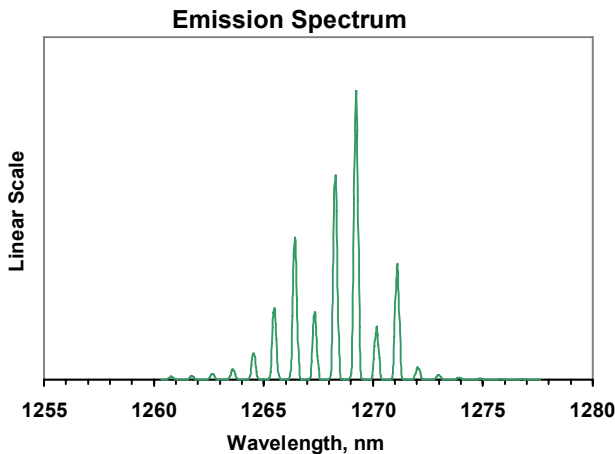
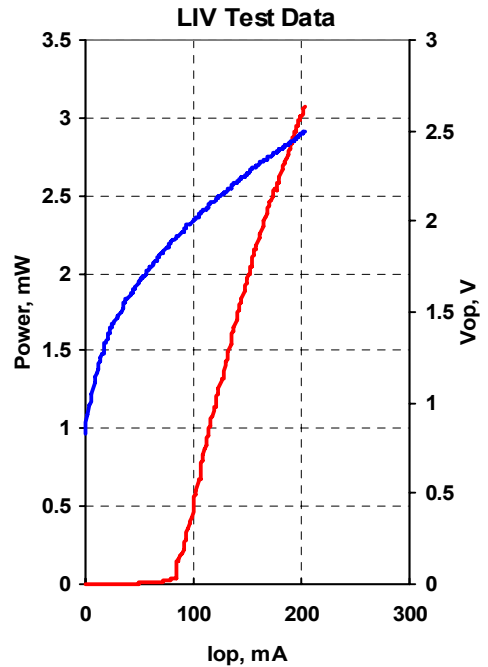
QPHOTONICS, LLC

3830 Packard Road,
Suite 280,
Ann Arbor, MI 48108,
USA

Phone: 734-477-0133
Fax: 734-477-0166
Email: info@qphotonics.com
http://www.qphotonics.com

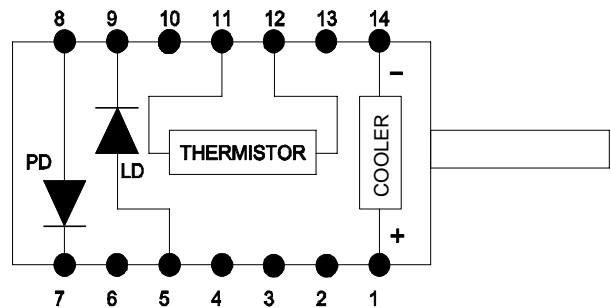
MODEL	QFLD-1270-3S
PART NUMBER	SAMPLE

Parameter	Value	Units
Internal Temperature	25	°C
Thermistor Resistance	10.0	kΩ
Optical Output Power	3	mW
Threshold Current	80	mA
Operating Current	200	mA
Operating Voltage	2.49	V
Monitor Current	0.24	mA
Monitor Dark Current	0	nA
Center Wavelength	1268	nm
Spectral Width	3.92	nm



Fiber Type	SMF-28
NA	0.13
Connector	None

Pin	Connection
1	TE Cooler (+)
5	LD Anode (+)
7	PD Cathode (+)
8	PD Anode (-)
9	LD Cathode (-)
11	Thermistor
12	Thermistor
14	TE Cooler (-)



Operator	NA
Date	8/10/2006